

# Two and Four Door Holders

CRO-KT-0008 (2-Door) & CRO-KT-0009 (4-Door)

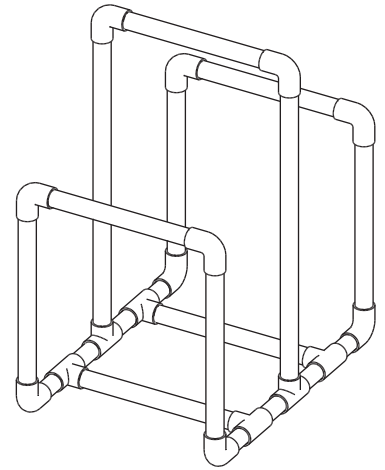
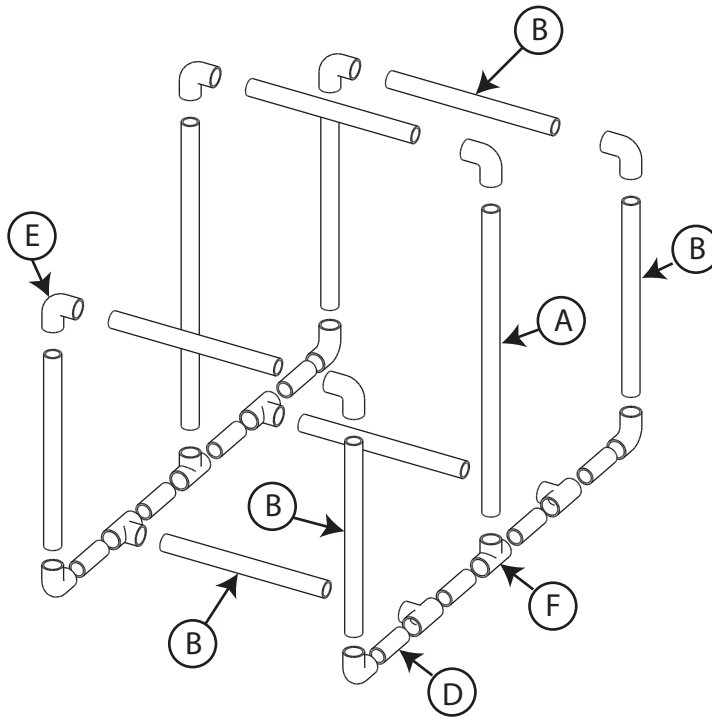
• Kits include storage bag

- A rubber mallet may be necessary to tap pieces together
- May use PVC cement to permanently bond holder together

## CRO-KT-0008

### 2-Door

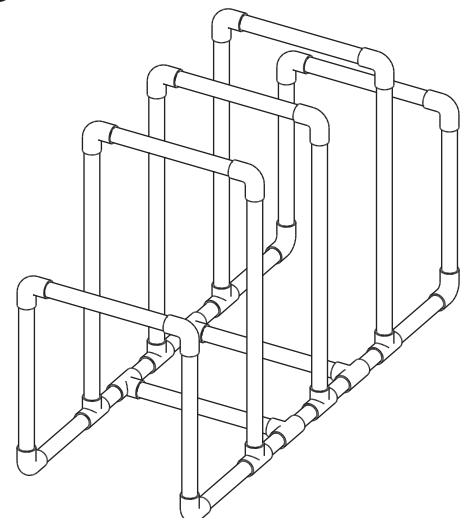
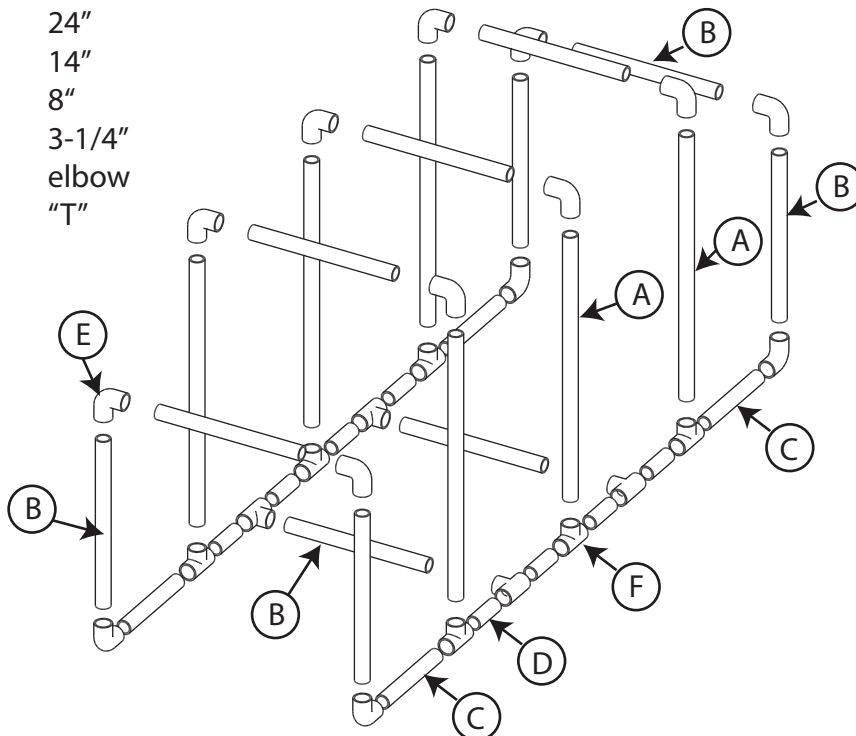
Qty.	Part	Name
(2)	A	24"
(9)	B	14"
(8)	D	3-1/4"
(10)	E	elbow
(6)	F	"T"



## CRO-KT-0009

### 4-Door

Qty.	Part	Name
(6)	A	24"
(11)	B	14"
(4)	C	8"
(8)	D	3-1/4"
(14)	E	elbow
(10)	F	"T"



view of doors in assembled 4-Door Kit