



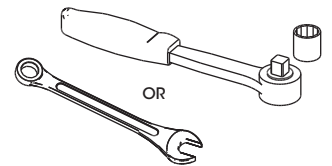
Made in USA • www.crookedriveroffroad.com

# JK Front Tube Door Kit

## CRO-KT-0003

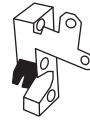
### Tools required:

- 11MM



CRO-PT-0003-DS  
JK Front Tube Door  
Driver Side

CRO-PT-0003-PS  
JK Front Tube Door  
Passenger Side



CRO-HW-0009  
Latch  
non-color spring



CRO-HW-0012  
Washer (8)

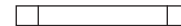


CRO-HW-0013  
Nut (8)

CRO-HW-0010  
Latch  
color spring



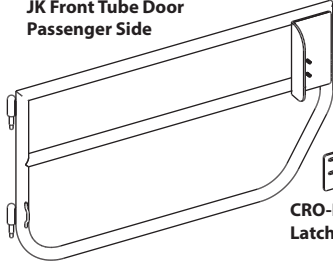
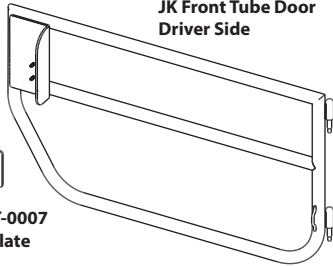
CRO-HW-0011 Latch Bolt (4)



CRO-PT-0009 15" Strap (2)



CRO-PT-0007  
Latch Plate



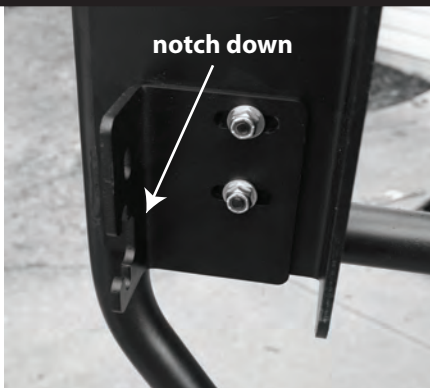
CRO-PT-0008  
Latch Plate

### Step 1 - Latch Plate Mount

- Place Latch Plate over threaded posts on Front Door. Note: notch in Latch Plate will face down for Front Doors.

- **Loosely fasten** using one (1) Washer and one (1) Nut per post.

- Do this for both front doors, orienting the Latch Plate in the proper direction on each door.

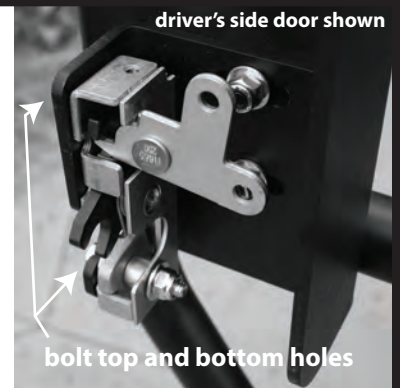


### Step 2 - Latch Mount

- For Driver's Side Door, mount the Latch with the non-colored spring. For Passenger side mount the Latch with the colored spring.

- Pass one bolt through the top hole of the Latch, one bolt through the bottom hole.

- Place a Washer over the end of the bolt and **loosely tighten** using a Nut



### Step 3 - Adjust & Tighten

- Mount Front Doors to vehicle by inserting front door pins into the vehicles existing door hinge posts.

- Close door and adjust fit of Latch Plate and Latch.

- Once you are satisfied with the fit and operation of Latch and Latch Plate assembly, tighten the nuts on the Latch Plate and the Latch assembly.

- Check operation again and adjust as necessary.

- **Note: there will be some in and out wiggle - the bumper you place in Step 4 will take care of that.**

### Step 4 - Attach Bumper

- Remove double stick tape backing on Bumper.

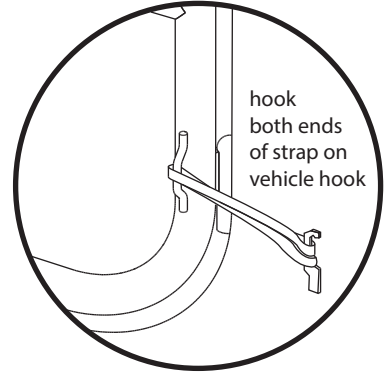
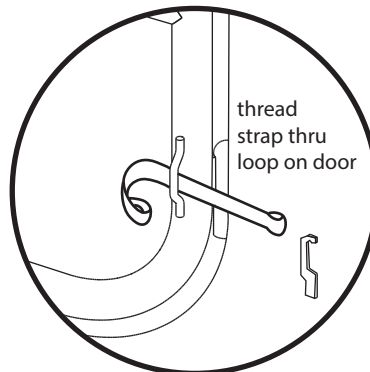
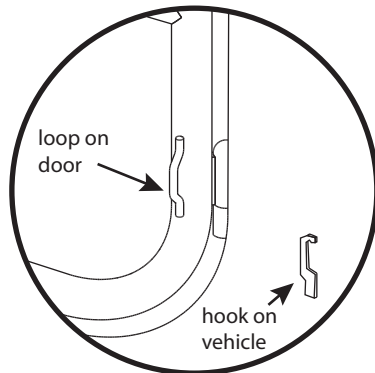
- Mount one Bumper per door as shown in photo.



### Step 5 - Attach Tether Straps

- Pass strap through loop on Tube Door

- Hook both ends of strap over the factory hook on your vehicle, the same hook that your factory door straps attach to



### Note:

- Routinely check to make nuts, and other hardware components are securely fastened; tighten if necessary
- Routinely check latches for correct operation
- Oil hinge pins with a to prevent rust, recommend LPS 3 Rust Inhibitor

**Warning: This device is intended for offroad use only. Operating a motor vehicle offroad is inherently dangerous and may result in injury or death. This device is not intended as a safety restraint device.**

**Warning: Offroad operation of a vehicle is hazardous. For your safety: Always wear your seat belt, a helmet, eye protection, and protective clothing. Never ride under the influence of drugs or alcohol. Avoid excessive speeds and stunt driving. Be extra careful on difficult terrain.**

**Warranty:** Please see our website for full product warranty details [www.crookedriveroffroad.com](http://www.crookedriveroffroad.com)



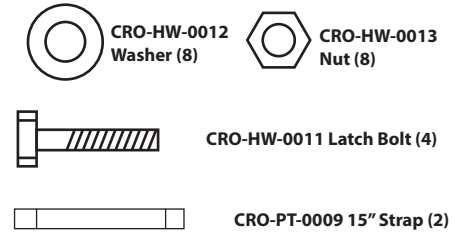
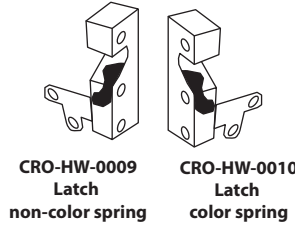
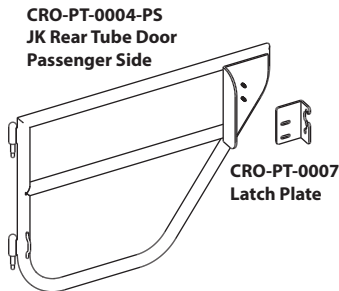
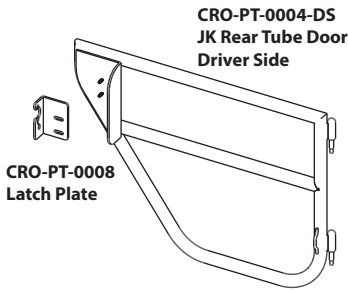
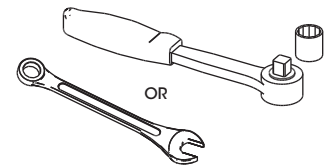
Made in USA • www.crookedriveroffroad.com

# JK Rear Tube Door Kit

## CRO-KT-0004

### Tools required:

- 11MM



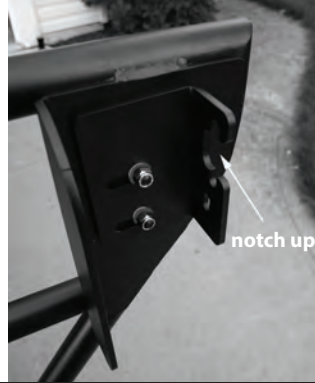
Warranty: Please see our website for full product warranty details [www.crookedriveroffroad.com](http://www.crookedriveroffroad.com)

### Step 1 - Latch Plate Mount

- Place Latch Plate over threaded posts on Rear Door. Note: notch in Latch Plate will face up for Rear Doors.

- **Loosely fasten** using one (1) Washer and one (1) Nut per post.

- Do this for both rear doors, orienting the Latch Plate in the proper direction on each door.

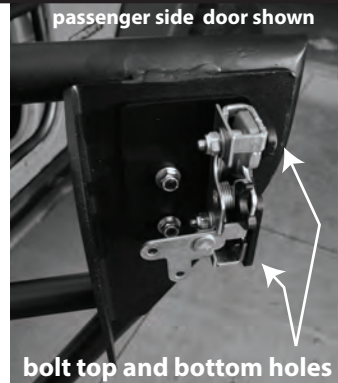


### Step 2 - Latch Mount

- For Driver's Side Door, mount the Latch with the colored spring. For Passenger side mount the Latch with the non-colored spring.

- Pass one bolt through the top hole of the Latch, one bolt through the bottom hole.

- Place a Washer over the end of the bolt and **loosely tighten** using a Nut



### Step 3 - Adjust & Tighten

- Mount Rear Doors to vehicle by inserting front door pins into the vehicles existing door hinge posts.

- Close door and adjust fit of Latch Plate and Latch.

- Once you are satisfied with the fit and operation of Latch and Latch Plate assembly, tighten the nuts on the Latch Plate and the Latch assembly.

- Check operation again and adjust as necessary.

- **Note: there will be some in and out wiggle - the bumper you place in Step 4 will take care of that.**

### Step 4 - Attach Bumper

- Remove double stick tape backing on Bumper.

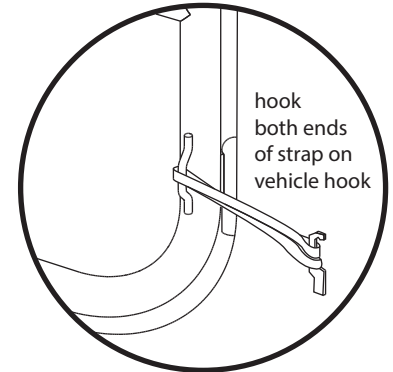
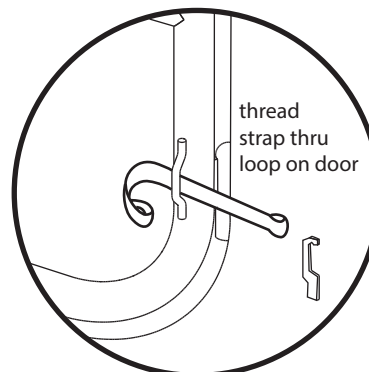
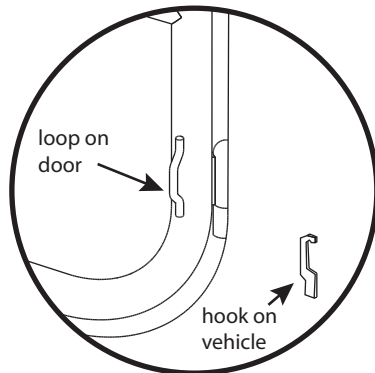
- Mount one Bumper per door as shown in photo.



### Step 5 - Attach Tether Straps

- Pass strap through loop on Tube Door

- Hook both ends of strap over the factory hook on your vehicle, the same hook that your factory door straps attach to



### Note:

- Routinely check to make nuts, and other hardware components are securely fastened; tighten if necessary
- Routinely check latches for correct operation
- Oil hinge pins with a to prevent rust, recommend LPS 3 Rust Inhibitor

**Warning: This device is intended for offroad use only. Operating a motor vehicle offroad is inherently dangerous and may result in injury or death. This device is not intended as a safety restraint device.**

**Warning: Offroad operation of a vehicle is hazardous. For your safety: Always wear your seat belt, a helmet, eye protection, and protective clothing. Never ride under the influence of drugs or alcohol. Avoid excessive speeds and stunt driving. Be extra careful on difficult terrain.**

Warranty: Please see our website for full product warranty details [www.crookedriveroffroad.com](http://www.crookedriveroffroad.com)